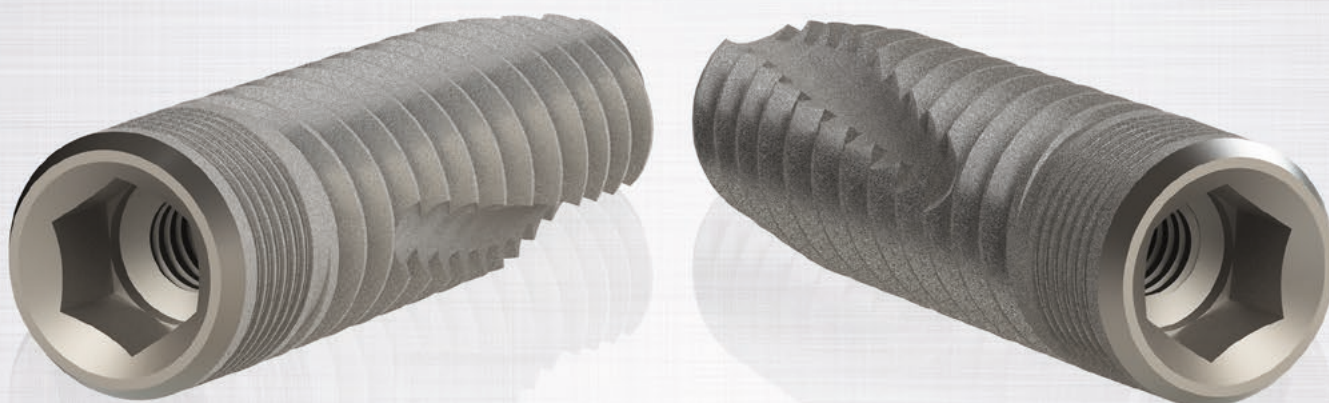




## Vulkan® Internal Hex. Implant System



ALL IN ONE

### AVAILABLE IMPLANT SYSTEMS



EXTERNAL  
HEX.



INTERNAL  
HEX.



CONICAL  
CONNECTION



# Index

## Vulkan® Internal Hex. Implant System



About us	3
<b>Vulkan® Internal Hex. Implant</b>	
Implant Design and Properties	4-5
VLA® Surface Treatment and Plasma Cleaning	6
Sizes Guide	7
Technical Specification	8-9
Surgical Protocol	10-11
Implant Driver and Packaging	12
Step-by-Step Implant Placement	13-14
<b>Vulkan® Internal Hex. Prosthetic Solutions and Tools</b>	
Introduction	16
Main Components	17-18
Transepithelial Multi-Use® System	19-20
Vulkan® Tissue Care	21
Overdenture VulkanLoc® System	22
CAD-CAM Components	23
Surgical and Prosthetic Tools	24-25
<b>How we work</b>	
Innovation, Precision and Quality	26
Clinical Cases	27

Designed and made in **Barcelona**,  
one of the most advanced cities  
in the world in biotechnology



## About us

**Vulkan®** is a modern, cutting-edge **European dental implant brand**, established in **Barcelona** (Spain) in 2013.

**Vulkan®** was born out of our long and recognized expertise in the field of dental implantology. Also, because of our links with highly regarded companies and professionals in the sector and our close ties with the strong and world-renowned local biotechnological network.

As a manufacturer of implants and dental prosthetic solutions, our added value is based on the **high quality and reliability** of our processes and products. As well as the innovative capacity of our team of scientists, engineers and dental professionals.

In **Vulkan®** we carefully monitor and control all our processes of R+D+i, design, production and quality to be able to guarantee 100% the success of our products.

Our mission is to improve and facilitate the experience of the patients and dental health professionals by designing, manufacturing and making more accessible the most up-to-date dental implant technology.

### **Innovation:**

The constant improvement and the desire to find the best solutions for the patients place us as an innovative and reliable company.

### **Quality:**

Quality and seeking perfection are golden rules for everything we do.

### **Commitment:**

Our commitment with the patients: solutions that improve their quality of life.  
Our commitment with the industry professionals: innovations to improve their clinical experience.

### **Added value:**

The engine that moves us forward is the motivation to always offer more and better solutions.

### **Sustainability:**

For us sustainability is a core value in our decision making process, to enable our values and our brand to last over time.

# Vulkan® Internal Hex., the most innovative design with the latest technology in each area of the implant

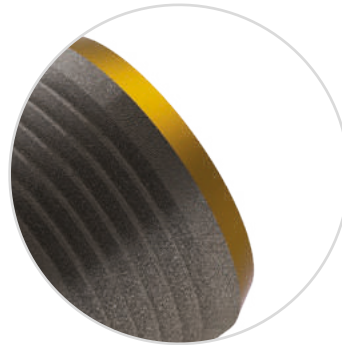
## Polished coronal region

**Polished and beveled** surface of 0.5 mm.

Aids the **proper healing** of the perimplantary mucogingival tissue, promoting the **hygiene** in the supracrestal area.

Hinders the adhesion of bacterial plaque.

**Diminishes the risk** of perimplantitis.



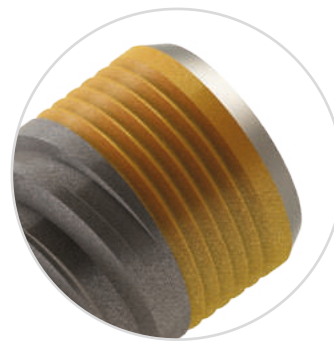
## Micro-slot in cortical area

**High primary stability** at the cortical level.

Suitable for **immediate loading** treatments with bone types III and IV.

**Decrease** of occlusal loading **stress**.

**Reduces the risk** of cortical bone resorption.



## Double thread

**High advance** of 1.8 mm per revolution.

**Easy insertion.**

Precise conicity to enable **gradual** condensation of the bone, **facilitating primary stability**.



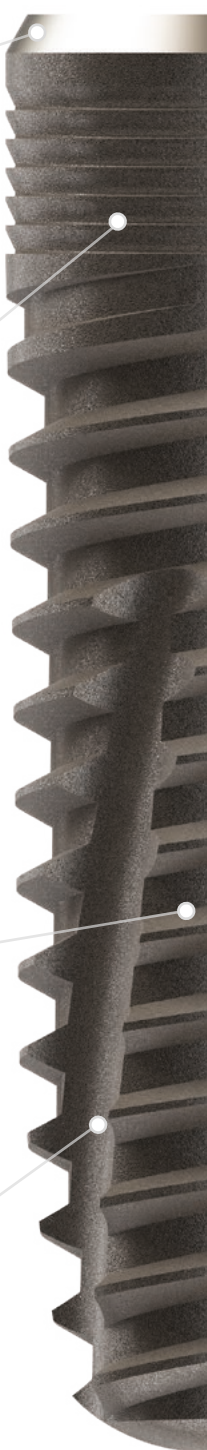
## Cutting notches

**Self-tapping.**

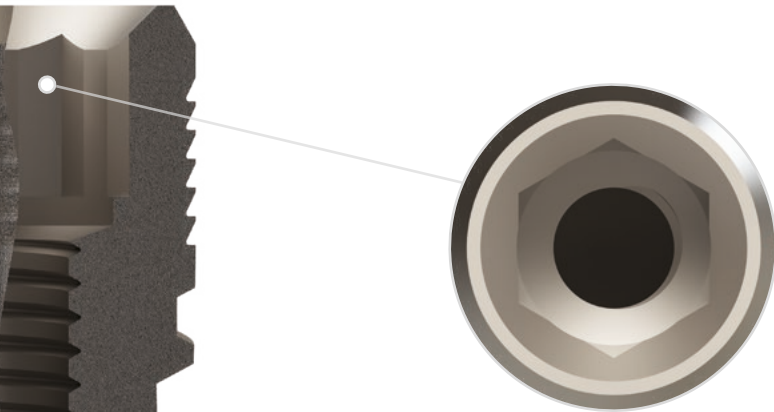
**Optimal channeling** of the detached tissue during implantation.

Anti-rotational function after **osseointegration**.

**Reduce** excessive pressure on the alveolar bone during insertion.



## Internal hexagon connection of high fit



Absence of micromovements (**minimum GAP**).

**Optimum sealing.** Only 5 µm tolerance in manufacturing.

Effective occlusal loading **distribution**.

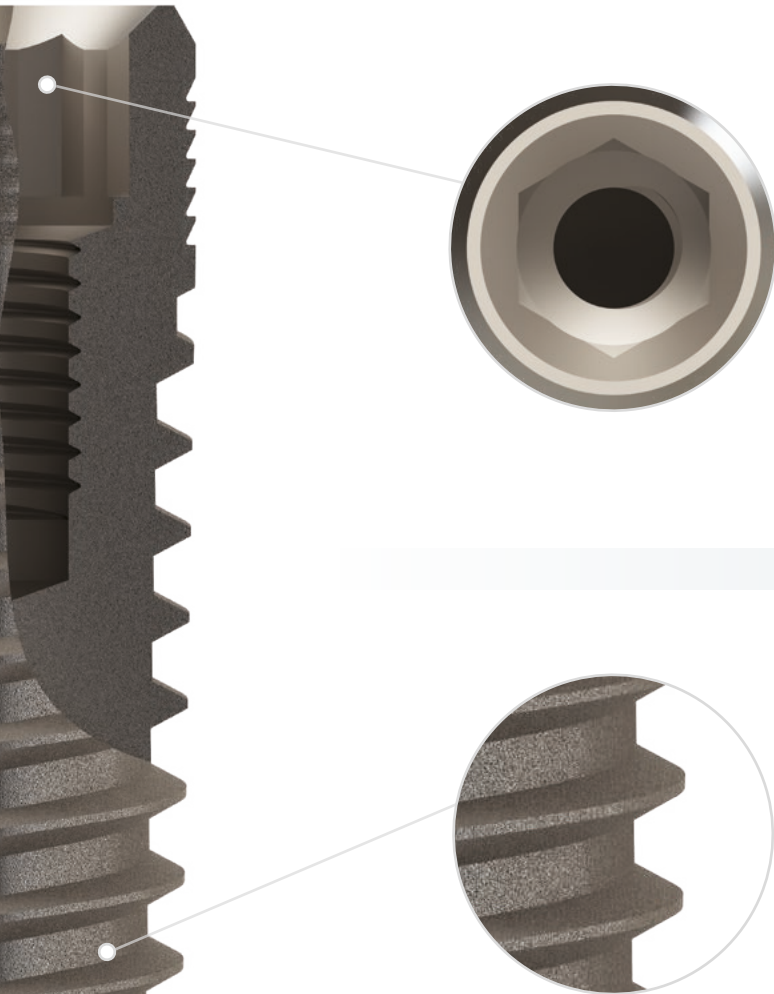
**High resistance** to torsional loading.

**High fit accuracy** of dental attachments.

**Uniform platform** suitable for all diameters.

**Simplicity** in the process.

## Trapezoidal thread profile

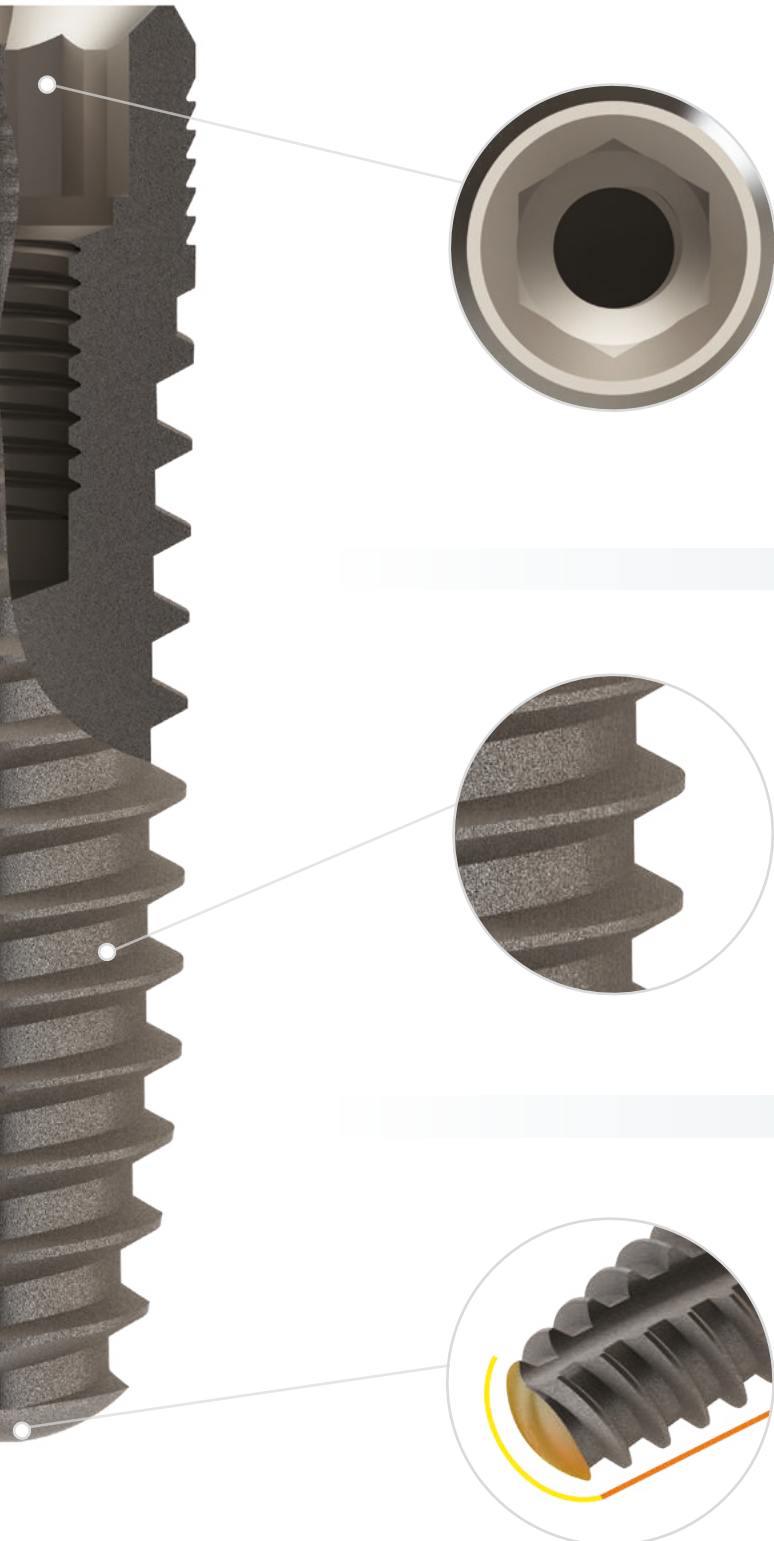


**Optimal** load distribution.

Facilitates **self-tapping** function.

**Extensive** bone contact surface.

## Atraumatic tapered apex

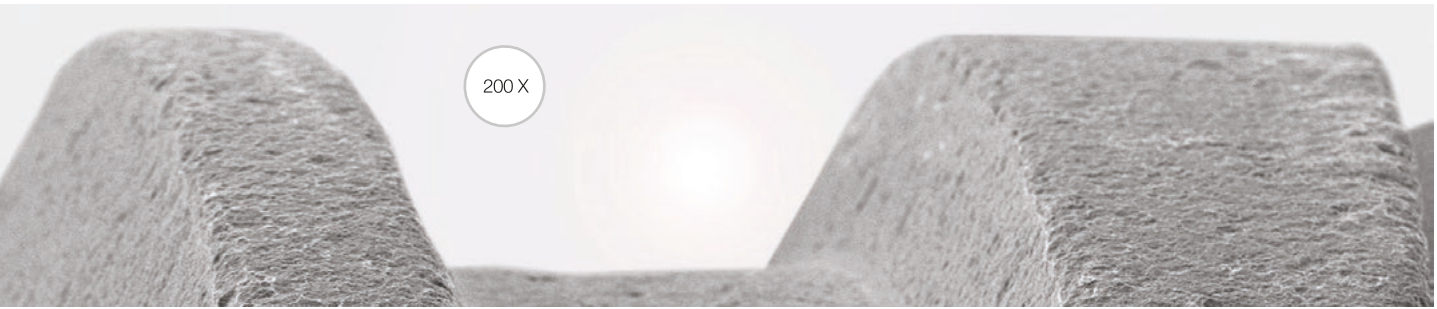


Facilitates self-tapping to **improve maneuverability**.

Blunt tip **minimizes the risk of injuring** anatomical structures.

Simulates the **natural tooth root**.

## VLA® Surface treatment

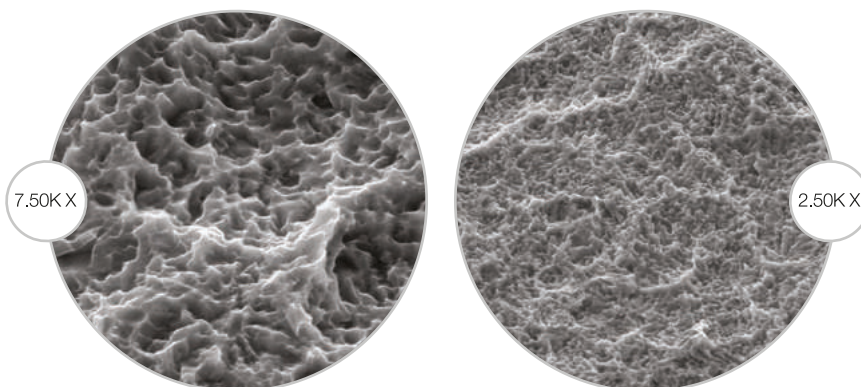


### Proven Guarantee of Success

The Vulkan® IN-HEX implant has been subjected to a treatment consisting of **sandblasting + double acid etching** creating a surface with optimum roughness of 1.4  $\mu\text{m}$ .

This is a widely studied surface that provides a microstructure that **stimulates the osseointegration** of the implant.

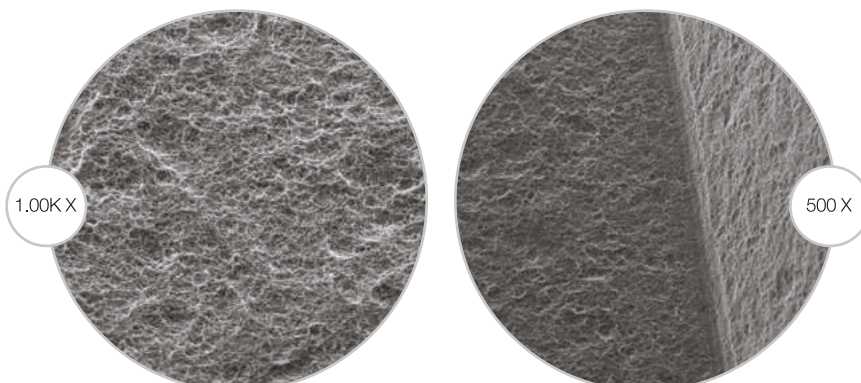
The **VLA®** surface treatment presents **success rates of 98%-99%**. This microstructure also ensures a large contact area between implant and bone, providing the **maximum BIC (Bone Implant Contact)**.



### The Cleanest Implant

In addition, an **innovative final cleaning technique** is applied using a **plasma** cleaning system that strikes the surface of the implant, subjecting it to an intensive blasting causing the detachment and **complete elimination of any possible remaining contaminants**.

Finally, the implant is subjected to a strict **sterilization** by gamma rays.



Vulkan® Internal Hex.,  
the cutting-edge implant  
that meets all your needs



### Sizes Guide

Ø3.3



3.30x08



INHEX3308

3.30x10



INHEX3310

3.30x11,5



INHEX33115

3.30x13



INHEX3313

3.30x15



INHEX3315

Ø3.75



3.75x08



INHEX37508

3.75x10



INHEX37510

3.75x11,5



INHEX375115

3.75x13



INHEX37513

3.75x15



INHEX37515

3.75x18



INHEX37518

Ø4.2



4.20x06



INHEX4206

4.20x08



INHEX4208

4.20x10



INHEX4210

4.20x11,5



INHEX42115

4.20x13



INHEX4213

4.20x15



INHEX4215

4.20x18



INHEX4218

Ø5.0



5.00x06



INHEX5006

5.00x08



INHEX5008

5.00x10



INHEX5010

5.00x11,5



INHEX50115

5.00x13

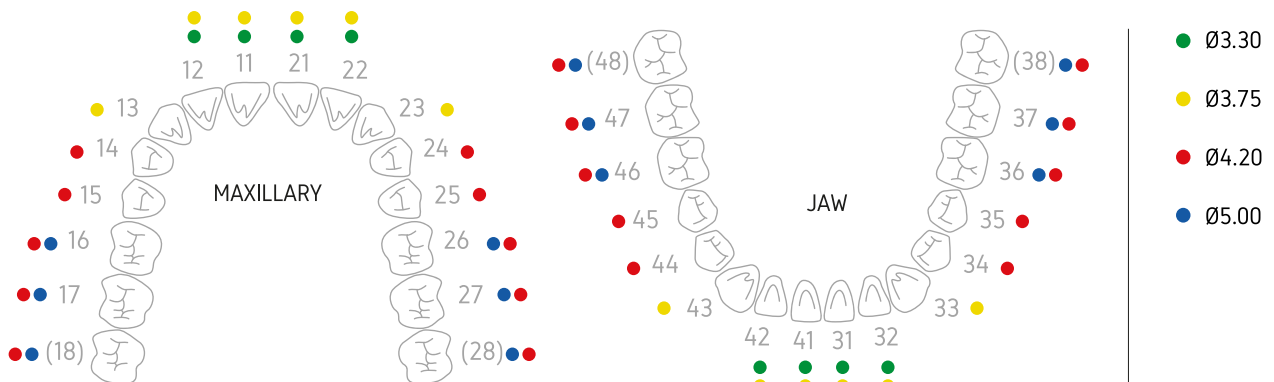


INHEX5013

5.00x15



INHEX5015

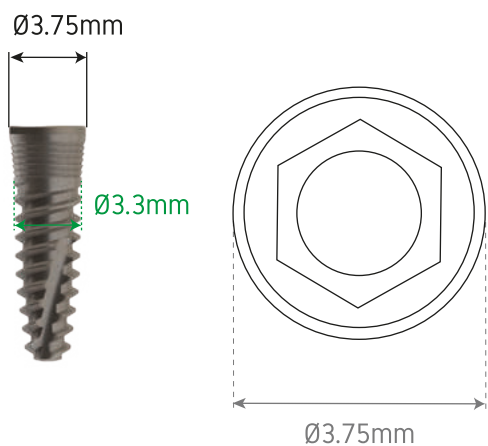


\* All Vulkan® Internal Hex. Implants include the Cover Screw (VINHTO) in the same pack.

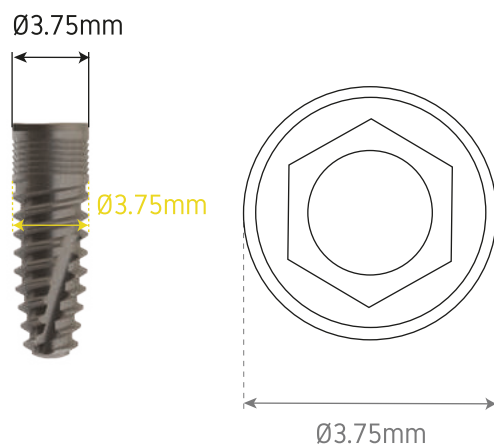
Technical specifications  
Vulkan® Internal Hex.

One Prosthetic Platform for All Implant Diameters

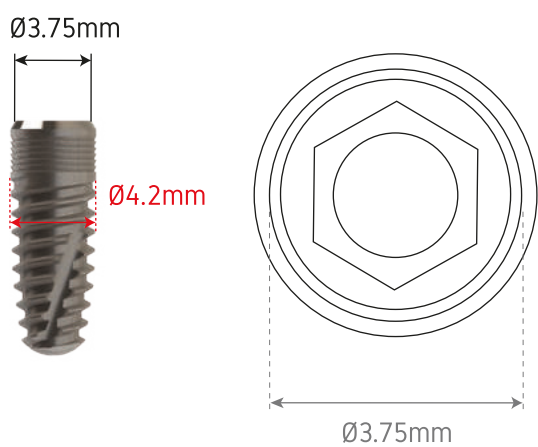
Ø3.3mm



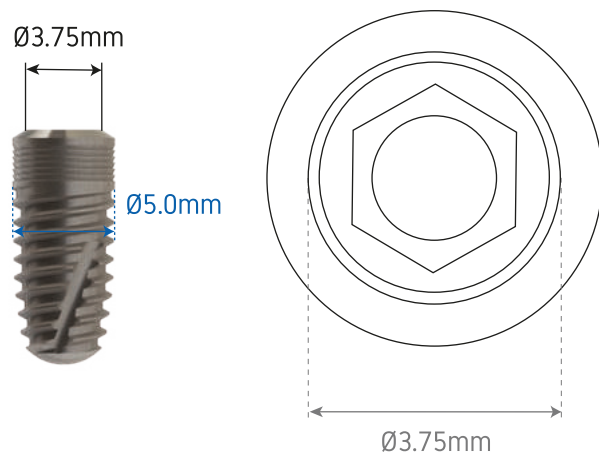
Ø3.75mm



Ø4.2mm



Ø5.0mm



✓ One size fits all

## Technical specifications

### Vulkan® Internal Hex.

## The best titanium for the most advanced implant

In general, scientifically-proven dental implants are made of Titanium Grade 4. This material is known for providing better biocompatibility than Titanium Grade 5, because it has more pure titanium. However, although Titanium Grade 5 is less biocompatible, it has superior mechanical properties than Titanium Grade 4. This is the reason why Titanium Grade 5 is most commonly used in prosthetic components and Titanium Grade 4 in implants.

The determining factor in choosing between one material or another is their biocompatibility. However, it is also very important that the material contains mechanical properties that provide tensile/shear resistance, elasticity and enough strength/hardness to withstand the prosthetic process satisfactorily. That is why, in Vulkan we use an innovative material that provides the same biocompatibility than Titanium Grade 4 and the same mechanical properties than Titanium Grade 5.

### How do we manage to obtain the best of both materials in one?

Technically, the composition of our Titanium is Grade 4. However, when forming it we use a “Cold Forming” technique. This process to form the material is what provides our implants their superior mechanical properties.

Using this innovative technique, we manage to produce our implants for maximum biocompatibility and the best possible mechanical properties.

### Vulkan® Grade 4 titanium “Cold forming”

- ✓ Higher strength
- ✓ Greater Biocompatibility
- ✓ Advanced Mechanical Properties

## Comparison of the different compositions of titanium

Titanium		Mechanical characteristics		
Description	State	Tensile strength N/mm <sup>2</sup>	0,2% Yield point N/mm <sup>2</sup> min.	Elongation %
Grade 2		345	230	20
Grade 3		450	300	18
Grade 4		550	440	15
Grade 4 MCW	Medical Cold Worked	800-900	> 700	> 10

## Surgical Protocol

### Vulkan® Internal Hex.

These indications have been made for guidance (only).  
Bone drilling must be done carefully and taking into account the different bone density characteristics (Type I-IV).

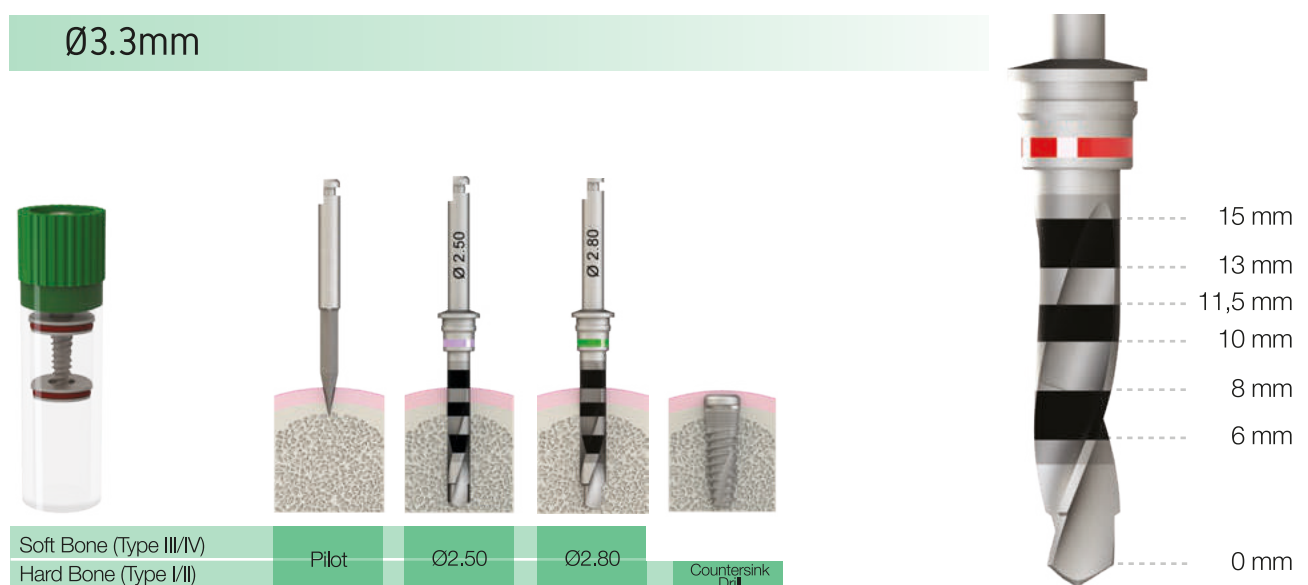
Important considerations (to be taken) during bone drilling

- Use copious/profuse external irrigation of pre-refrigerated NaCl at 5°C solution.
- Prepare the implant bed site with sequential drilling (straight up-and-down motion during osteotomy).
- Drill the osteotomy using light pressure.

Recommended drill speed:  
(Must be individualised based on the bone density type)

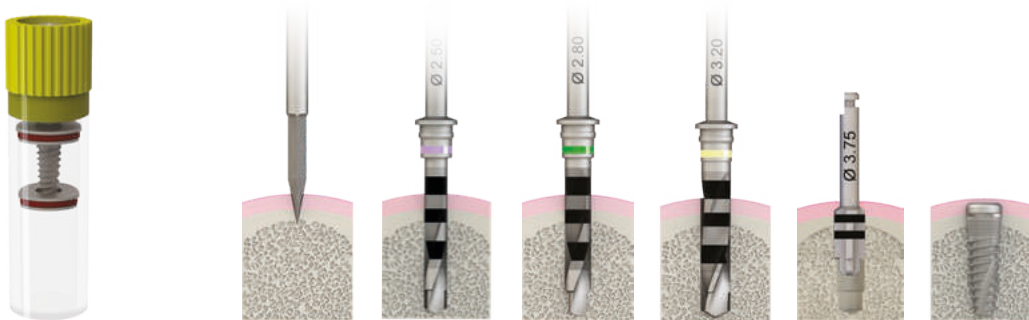
Pilot Drill	850 r.p.m.
Drill 2.5	800 r.p.m.
Drill 2.8	750 r.p.m.
Drill 3.2	650 r.p.m.
Drill 3.65	650 r.p.m.
Drill 4.60	550 r.p.m.
Countersink Drill	350 r.p.m.

## Drilling Sequence



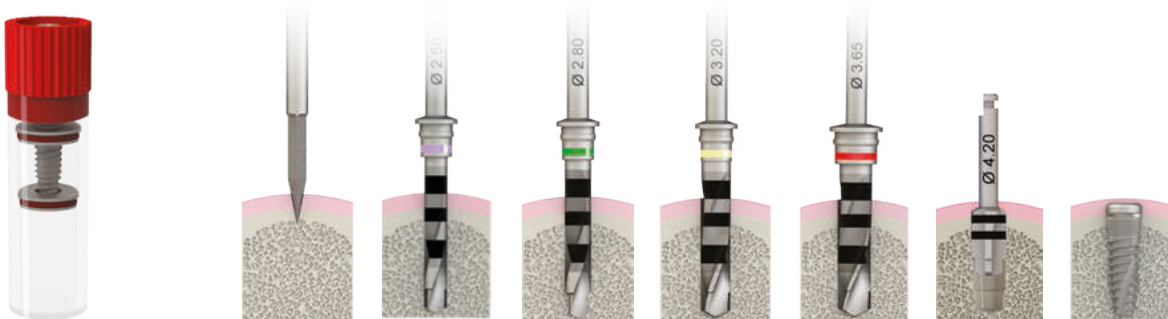
## Surgical Protocol Vulkan® Internal Hex.

### Ø3.75mm



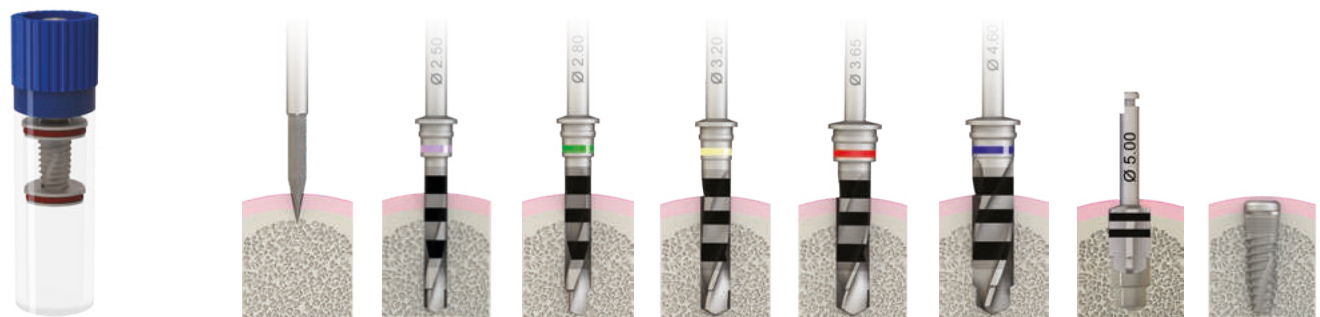
Soft Bone (Type III/IV)	Pilot	Ø2.00	Ø2.80	Ø3.20	Countersink Drill
Hard Bone (Type I/II)					

### Ø4.2mm



Soft Bone (Type III/IV)	Pilot	Ø2.00	Ø2.80	Ø3.20	Ø3.65	Countersink Drill
Hard Bone (Type I/II)						

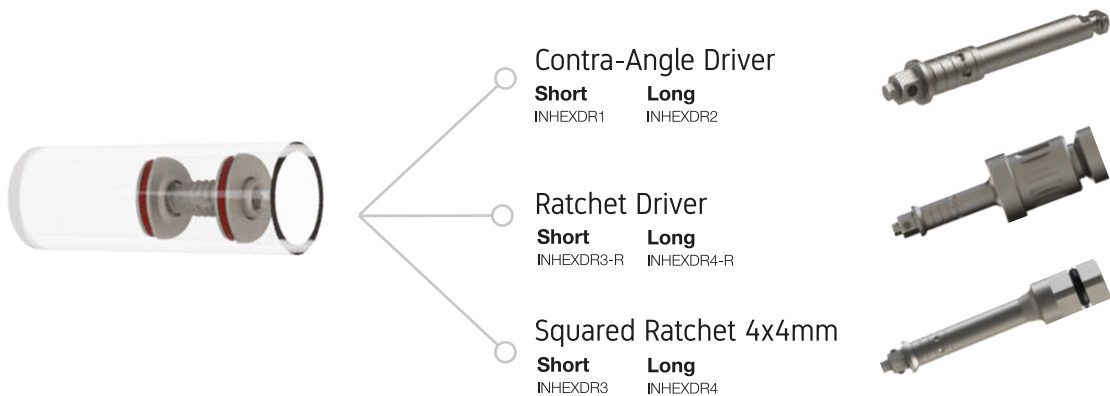
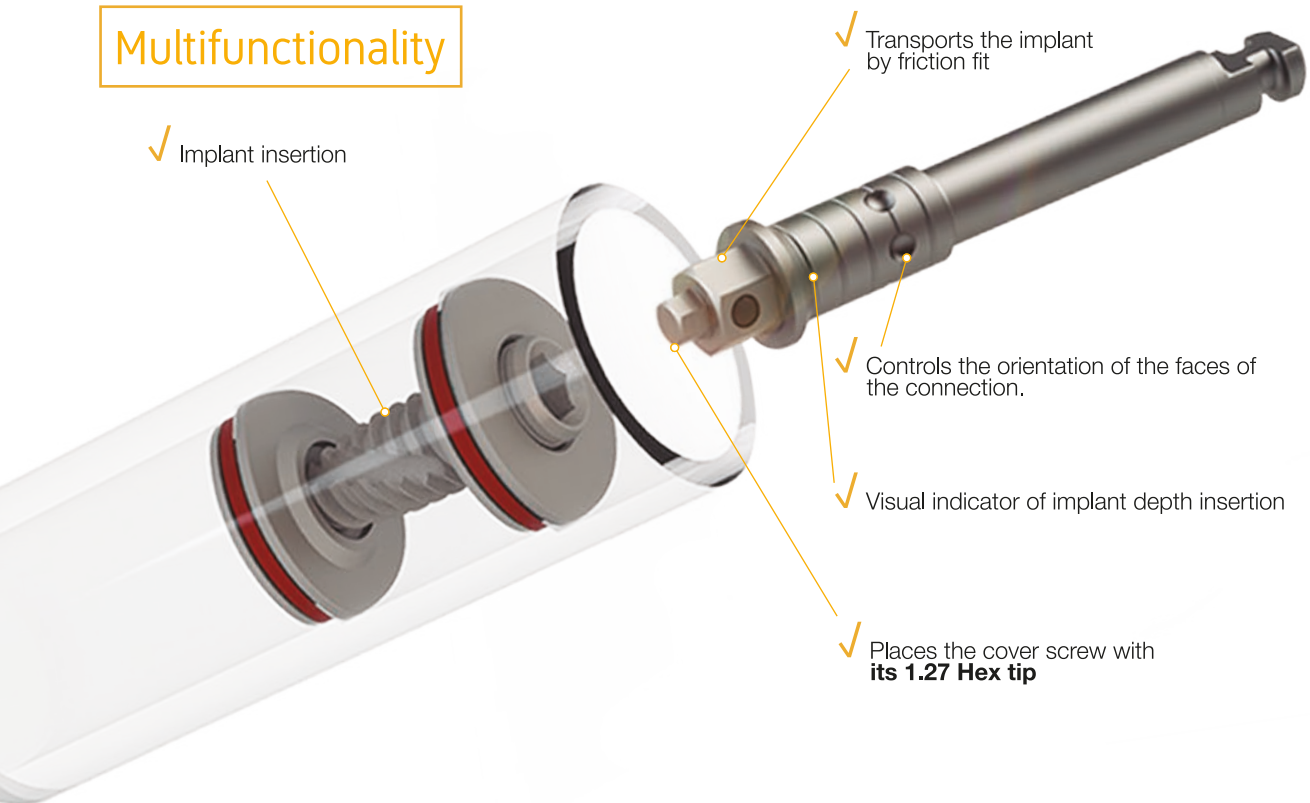
### Ø5.0mm



Soft Bone (Type III/IV)	Pilot	Ø2.00	Ø2.80	Ø3.20	Ø3.65	Ø4.60	Countersink Drill
Hard Bone (Type I/II)							

# Smart Implant Driver Vulkan® Internal Hex.

## Multifunctionality

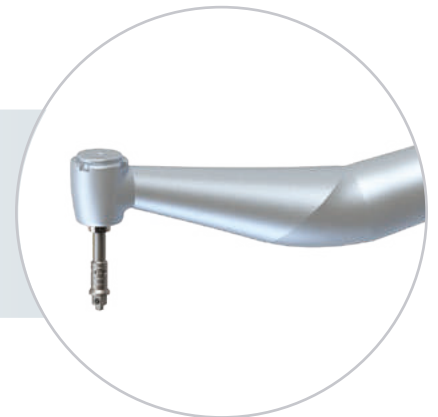


## Step-by-Step Implant Placement Vulkan® Internal Hex.



### STEP 1

Lift off the coloured cap to open the vial containing the implant. Place the cap into a sterile field. The implant cover screw comes attached to the top of the cap.



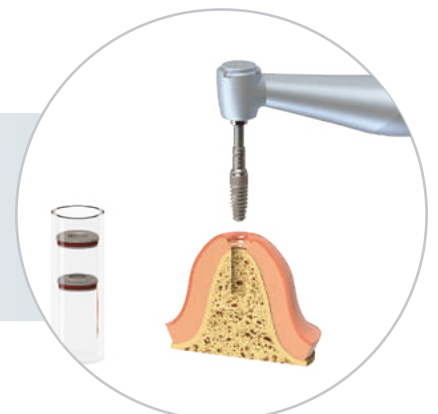
### STEP 2

Attach the implant driver to the contra angle.



### STEP 3

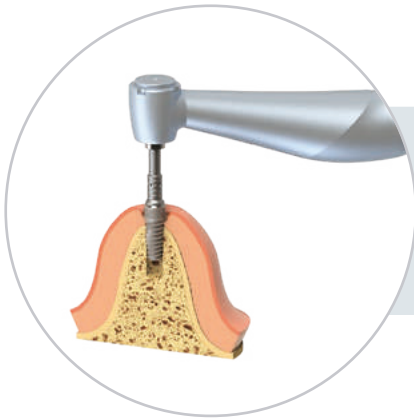
Connect the contra angle driver to the implant by exerting slight axial pressure. They will remain attached because the driver presents an elastic retention feature (rubber dots) in the area that connects to the implant. Remove the implant from the vial and carry it to the implant bed.



### STEP 4

Begin inserting the implant with the contra angle set at low speed  
10-15 rpm at 30-35 Ncm

## Step-by-Step Implant Placement Vulkan® Internal Hex.



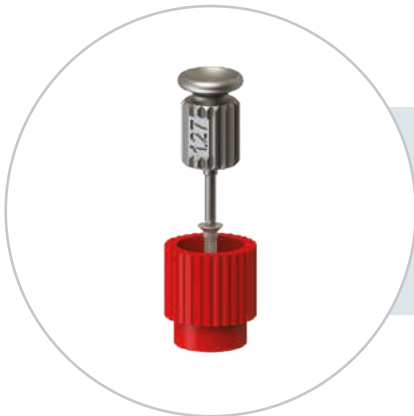
### STEP 5

Insert the implant 75% of its length,  
maximum torque 30-35 Ncm



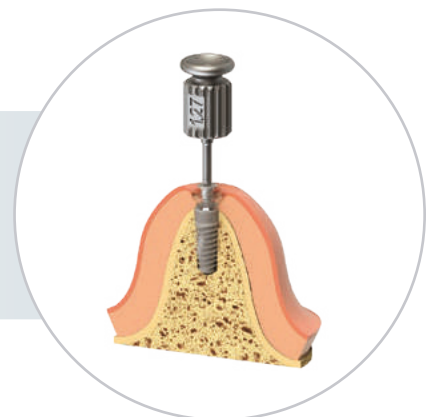
### STEP 6

Finalize the implant installation manually, preferably  
with the dynamometric ratchet at maximum torque  
set to 40-45 Ncm



### STEP 7

Remove the cover screw from the vial cap  
with the H1.27 hand driver.



### STEP 8

Hand-tight the cover screw into the implant with a  
maximum torque of 10Ncm.



# Vulkan® Internal Hex., Prosthetic Solutions and Tools

## Introduction

**Reliable and innovative** prosthetic solutions ensure the **perfect fit** and maximum **robustness**.

As a result of our advanced manufacturing process, we obtain a tolerance of **only 5 µm**, guaranteeing a **perfect and extremely accurate sealed connection** of the prosthetic components.

### Index

#### Prosthetic Solutions and Tools

-	Main Components	17-18
-	Transepithelial Multi-Use® System	19-20
-	Vulkan® Tissue Care®	21
-	Overdenture VulkanLoc® System	22
-	CAD-CAM Components	23
-	Surgical and Prosthetic Tools - Surgical kit	24



#### Single Prosthetic Driver

All Vulkan® Internal Hex prosthetic components work with the 1.27 Hex. Hand or Contra-Angle Driver (except for the Straight Multi-Use® Abutment and the VulkanLoc® system).

# Main Prosthetic Components



## Healing

### Closing Screw

10 Ncm (max.)



VINHTC

### Healing Cap - Emergency Ø3.5 (Grade 5 Titanium)



h2.0 mm  
VINH012035



h3.0 mm  
VINH013035



h4.0 mm  
VINH014035



h5.0 mm  
VINH015035



h7.0 mm  
VINH017035

### Healing Cap - Emergency Ø4.5 (Grade 5 Titanium)

20 Ncm (max.)



h2.0 mm  
VINH012045



h3.0 mm  
VINH013045



h4.0 mm  
VINH014045



h5.0 mm  
VINH015045



h7.0 mm  
VINH017045

### Healing Cap - Emergency Ø5.5 (Grade 5 Titanium)



h2.0 mm  
VINH012055



h3.0 mm  
VINH013055



h5.0 mm  
VINH015055



h7.0 mm  
VINH017055

## Impression

### Impression Coping (Grade 5 Titanium)



Open Tray  
VINH0201



Closed Tray  
VINH0202

### Analog (Stainless steel)



VINH03

## Screw Retained Restoration

Castable (POM C)



Engaging  
VINH0401



Engaging  
VINH0402

Cobalt-Chrome Castable (CrCo + POM C)



Engaging  
VINH0501



Non-Engaging  
VINH0502

Temporary Abutment (Grade 5 Titanium)



Engaging  
VINH0601



Non-Engaging  
VINH0602

## Cemented Restoration

Straight Abutment (Grade 5 Titanium)



h0.0 mm  
VINH070000



h1.0 mm  
VINH070100



h2.0 mm  
VINH070200



h3.0 mm  
VINH070300

## Clinical Screw (Grade 5 Titanium)

30 Ncm (max.)



Titanium DLC  
VINH0901T



Titanium  
VINH0901

Angled Abutment (Titanio Grado 5)



15° h1.0 mm - VINH070115  
15° h2.0 mm - VINH070215  
15° h3.0 mm - VINH070315



25° h1.0 mm - VINH070125  
25° h2.0 mm - VINH070225  
25° h3.0 mm - VINH070325

## Prosthesis Screwed Angled



Non-Engaging - 17°  
1- VCHA170001  
2- VINH0503



Engaging - 17°  
1- VCHA170001  
2- VINH0504



Non-Engaging - 30°  
1- VCHA300001  
2- VINH0503



Engaging - 30°  
1- VCHA300001  
2- VINH0504

## Angled Clinical Screw (Grade 5 Titanium)

25 Ncm (max.)



Titanium  
VINH0900-TLB



Short  
VSDTLB-1

Medium  
VSDTLB-2

Long  
VSDTLB-3

# Transepithelial Multi-Use® System



## Multi-Use® Abutments

### Straight Multi-Use® Abutment (Grade 5 Titanium)



### Angled Multi-Use® Abutments (Grade 5 Titanium)



### Multi-Use® VulkanLoc Abutment (Grade 5 Titanium)



## Healing

### Healing Cap for Multi-Use® (Integrated screw)



Titanium  
MU0103

## Impression

### Impression Coping for Multi-Use® (Grade 5 Titanium)



Open Tray  
MU0201



Closed Tray  
MU0202



MU03

### Multi-Use® Analog (Stainless steel)

## Screw Retained Restoration

Castable  
Multi-Use® (POM C)



MU0402

Cr-Co Castable  
Multi-Use® (CrCo + POM C)



MU0502

Temporary Abutment  
Multi-Use®



Titanium  
MU0602



PEEK  
MU0602P

## Angled Clinical Screw Multi-Use® (Grade 5 Titanium)

15 Ncm (max.)



Titanium DLC  
MU09T



Titanium  
MU09

## Prosthesis Screwed Angled Multi-Use®



Antirrotatorio - 17°  
1- VCHA170001  
2- MU0504



Antirrotatorio - 30°  
1- VCHA300001  
2- MU0504

## Angled Clinical Screw Multi-Use®

Tetralobular connection

15 Ncm (max.)



Titanium  
MU0900-TLB



Short  
VSDTLB-1  
Medium  
VSDTLB-2  
Long  
VSDTLB-3

## Straight Driver Multi-Use®



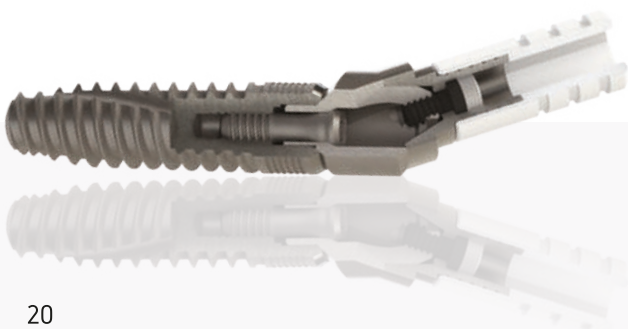
Contra-Angle  
VDMU-1



Ratchet  
VDMU-2

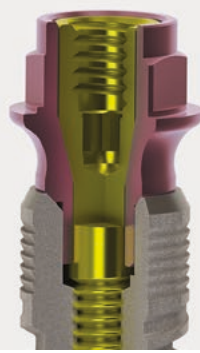


Transpotator  
Multi-Use Straight  
VDMU-4



# Vulkan® Tissue Care

\* Only for single prostheses



## Straight Tissue Care Abutment + Screw (Grade 5 Titanium)



## Tissue Care Screw (Grade 5 Titanium)



## Healing

Healing Cap for Tissue Care (Grade 5 Titanium)



TCS0101

## Impression

Impression Coping for Tissue Care (Grade 5 Titanium)



TCS0202  
Non-Engaging

Analog for Tissue Care (Stainless Steel)



TCS0300

## Screwed prosthesis

Castable Tissue Care (POM C)



TCS0400

Cobalt-Chrome Castable Tissue Care (CR CO)



TCS0500  
Non-Engaging

Temporary Abutment Tissue Care



TCS0600  
Non-Engaging

Clinical Screw for Tissue Care



## Angled prosthesis

Angled Cr-Co Base



1 2 3

- 1- VCHA170001
- 2- VCHA300001
- 3- TCS0500-A

Angled Screw



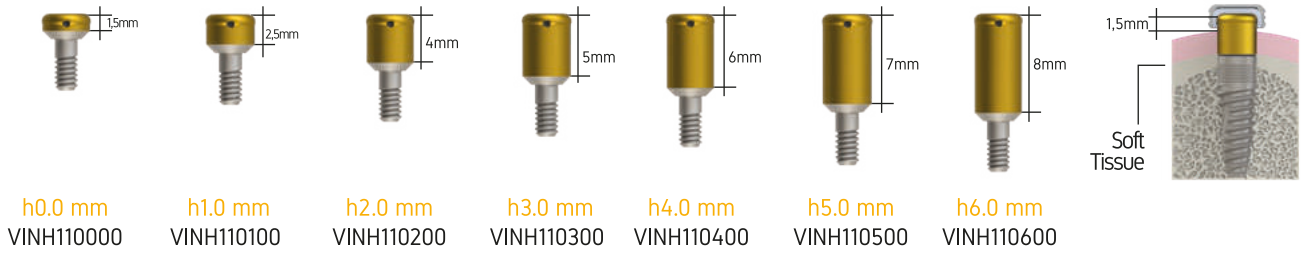
TCS0900-TLB  
Titanium Grade 5

\* CAD-CAM materials on page 23

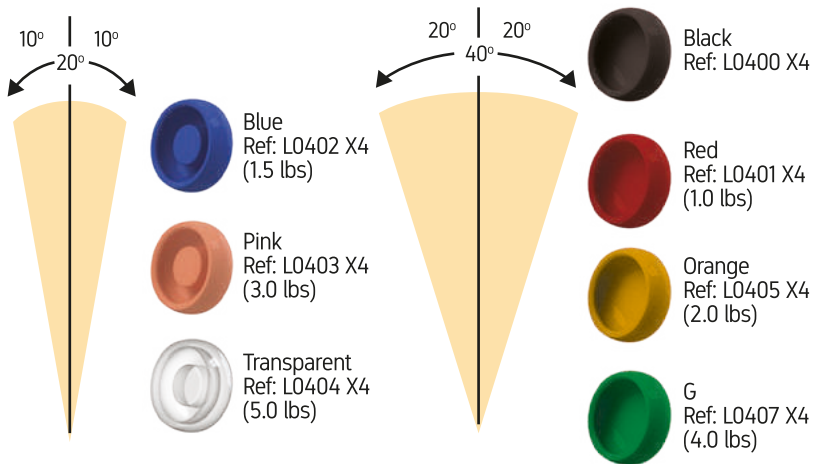
# Overdenture VulkanLoc® System



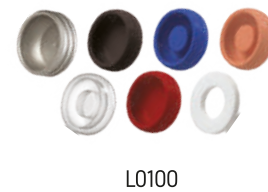
## VulkanLoc® Abutment (Grade 5 Titanium + TiN Coating)



## Retentions VulkanLoc®



## VulkanLoc® Processing Package



### Housing with Black Retainer



## VulkanLoc® Analog



## Mounter for VulkanLoc®



## Spacer Ring



## Smart Tool VulkanLoc®



## VulkanLoc® Driver

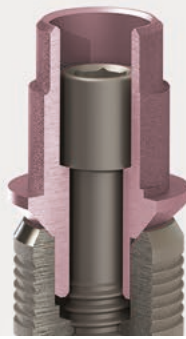


## Impression Coping for VulkanLoc®



# Componentes CAD-CAM

\* Libraries Available:  
[www.vulkanimplants.com](http://www.vulkanimplants.com)



## Ti-Base



Engaging

h0.5 mm - VINH080501  
h1.5 mm - VINH081501  
h3.0 mm - VINH083001



Non-Engaging

h0.5 mm - VINH080502  
h1.5 mm - VINH081502  
h3.0 mm - VINH083002

## ScanBody Titanium



Intraoral  
VINH130003

## Analog (Stainless Steel)



VINH0310

## Ti-Base for transepithelial Multi-Use®



Engaging H.0.5  
MU080502

## ScanBody Multi-Use® Titanium



Intraoral  
MU13R02

## Analog Multi-Use® (Stainless Steel)



MU0310

## Ti-Base for transepithelial Tissue Care®



Engaging H.0.5  
TCS080501

## ScanBody Tissue Care®



Intraoral  
TCS1301

## Analog Tissue Care®



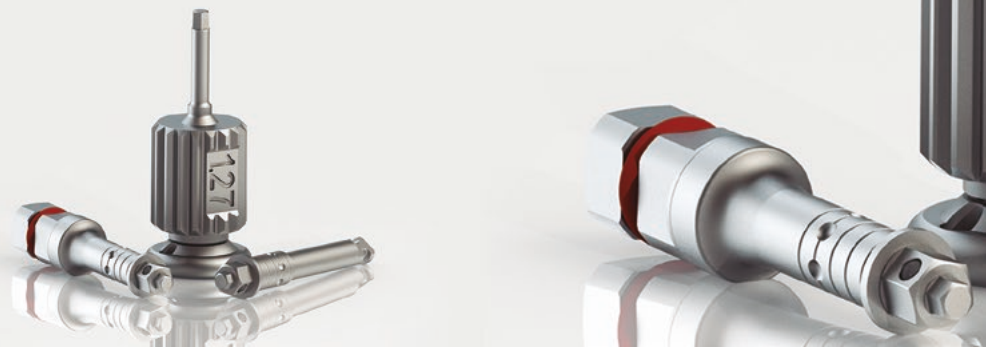
TCS0310



Download the CAD-CAM libraries on our website:

[www.vulkanimplants.com](http://www.vulkanimplants.com)

# Surgical and prosthetic Tools



## 1.27 Hex. Prosthetic Driver

Hand Driver/Ratchet Ø7.0	Ratchet 4x4	river	Adapters	Tetralobular Driver
<p>Short VSD127-1-R Long VSD127-2-R</p>	<p>Short VD127-1 Long VD127-2</p>	<p>Short VSD127-3 Long VSD127-4</p>	<p>VPL4X4 VSDCA</p>	<p>Short VSDTLB-1 Medium VSDTLB-2 Long VSDTLB-3</p>

## Implant Driver Contra-Angle

Implant Driver Contra-Angle	Implant Driver 4x4 Ratchet	Implant Driver Hand Driver/Ratchet Ø7.0	Spherical Drill
<p>Short INHEXR1 Long INHEXR2</p>	<p>Short INHEXR3 Long INHEXR4</p>	<p>Short INHEXR3-R Long INHEXR4-R</p>	<p>Ø5.0 VSF</p>

Paralleling Pin	Drill Extender	Short Handle For Square Driver 4mm
<p>Ø 2.0 VG20</p>	<p>VDL</p>	<p>VMG4x4-S</p>

## Surgical Drills

<p>Pilot VFP</p>	<p>Ø 2.5 VFT250</p>	<p>Ø 2.8 VFT28</p>
<p>Ø 3.2 VFT32</p>	<p>Ø 3.65 VFT365</p>	<p>Ø 4.60 VFT460</p>
<p>Ø 3.75 VFAV375</p>	<p>Ø 4.20 VFAV420</p>	<p>Ø 5.00 VFAV500</p>

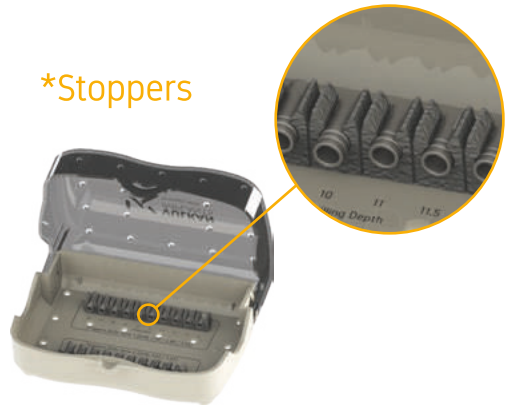
## Drill Stoppers

Serie 1 for drills: Ø2.50 / Ø2.80 / Ø3.20	Serie 2 for drills: Ø3.65 / Ø4.60
VTF06-1 6mm	VTF06-2 6mm
VTF07-1 7mm	VTF07-2 7mm
VTF08-1 8mm	VTF08-2 8mm
VTF09-1 9mm	VTF09-2 9mm
VTF10-1 10mm	VTF10-2 10mm
VTF11-1 11mm	VTF11-2 11mm
VTF115-1 11,5mm	VTF115-2 11,5mm
VTF12-1 12mm	VTF12-2 12mm
VTF13-1 13mm	VTF13-2 13mm
VTF14-1 14mm	VTF14-2 14mm
VTF15-1 15mm	VTF15-2 15mm

# Surgical and prosthetic Tools



\*Stoppers



**VSK- INT**  
Dynamometric ratchet VDIN2  
Drivers Ø7 connection  
Drill Stoppers not included

**VSK- INT-T**  
Dynamometric ratchet VDIN2  
Drivers Ø7 connection  
Drill Stoppers included

**VSK2- INT**  
Dynamometric ratchet VDIN  
Drivers 4x4 connection  
Drill Stoppers not included

**VSK2- INT-T**  
Dynamometric ratchet VDIN  
Drivers 4x4 connection  
Drill Stoppers included



Dynamometric ratchet  
VDIN2



Spring Ratchet  
VDIN

## VULKAN® SURGICAL KIT CONTAINS

VFP	Vulkan® Pilot Drill
VFT 25	Vulkan® Drill Ø 2.5
VFT28	Vulkan® Drill Ø 2.8
VFT32	Vulkan® Drill Ø 3.2
VFT365	Vulkan® Drill Ø 3.65
VFT460	Vulkan® Drill Ø 4.60
VFAV375	Vulkan® Countersink Drill Ø3.75
VFAV420	Vulkan® Countersink Drill Ø4.20
VFAV500	Vulkan® Countersink Drill Ø5.00
VG20 (x2)	Vulkan® Paralleling Pin Ø2.0
VDL	Vulkan® Drill Extender
VSD127-2-R	Vulkan® Prosthetic Hand / Ratchet Driver Hexagonal 1.27 Long
INHEXDR3-R	Vulkan® Internal Hex Implant Driver Ratchet Short
INHEXDR4-R	Vulkan® Internal Hex Implant Driver Ratchet Long
INHEXDR1	Vulkan® Internal Hex Implant Driver Contra-Angle Short
INHEXDR2	Vulkan® Internal Hex Implant Driver Contra-Angle Long
VDIN2	Dynamometric Ratchet 10-70 Ncm (4x4 / Ø 7)
<b>BASIC VERSION WITH 4X4 DRIVERS</b>	
INHEXDR3	Vulkan® Internal Hex Implant Driver Ratchet Short
INHEXDR4	Vulkan® Internal Hex Implant Driver Ratchet Long
VD127-1	Vulkan® Hexagonal Ratchet Driver 1.27 Short
VDIN	Vulkan® Spring Ratchet



Innovation,  
Precision  
and Quality



## R&D+i

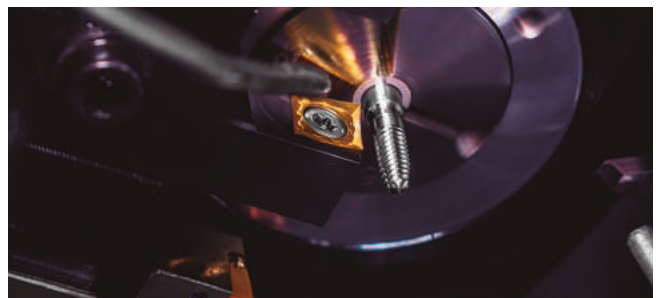
Our Research, Development and Innovation team is made up of **engineers and doctors** with long, extensive and successful experience in the development of dental implants and prosthetic components.

Together, they investigate and design the Vulkan® Implants **innovative products** according to user needs under the most **advanced protocols of Medical Engineering** and in accordance with **UNE 166002**.

## STATE-OF-THE-ART-TECHNOLOGY

Vulkan® products are known for their **high precision, quality and robustness**. This is possible, among other things, thanks to the **skillfulness of our specialists**, experts in dental technology, and the latest CNC machinery which allow us to guarantee **tolerances of only 5 µm**.

We can proudly say that our products are manufactured with **the most accurate technological system in the world**.



## BEST QUALITY GUARANTEED

Our Quality Control Department applies the more **rigorous control system** and has been certified under the most strict European quality standards. Robotized computer machines with **artificial vision** analyze and ensure the precise measurement of each implant and prosthetic component. Also, through an innovative **optical laser** technology, we inspect up to the most micrometric detail of the implants or prosthetic components.

Finally, to ensure the perfect functionality of our product, our team physically check the perfect fit of each item. **100% unitary control**.

## European Quality Standards

ISO 9001



ISO 13485



IQNet



CE Marking



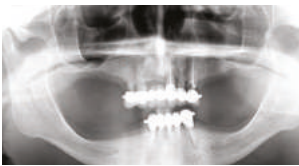
AEMPS Licence



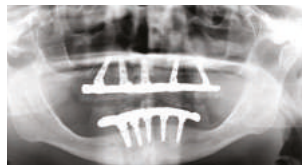
Clinical Cases  
of Vulkan® Internal Hex.

CASE CCVINH1501

Before



After



4 month after surgery



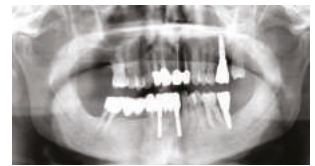
1 year after surgery

CASE CCVINH1502

Before



After



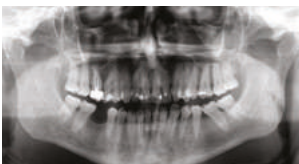
4 month after surgery



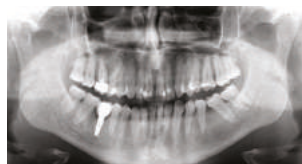
1 year after surgery

CASE CCVINH1503

Before



After



4 month after surgery



1 year after surgery

CASE CCVINH1601

Before



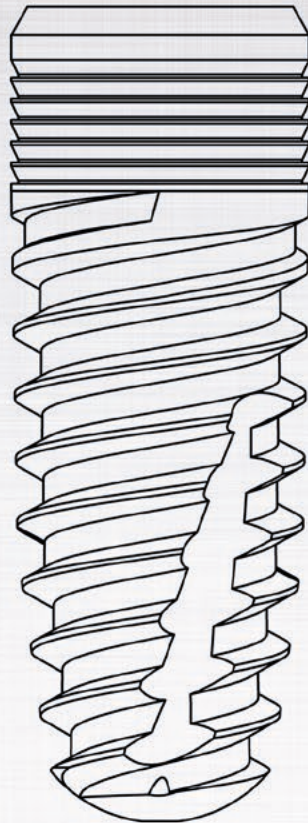
After



2 month after surgery



8 month after surgery



## Vulkan® Internal Hex.



**Titanimplant, S.L.**  
[www.titanimplant.net](http://www.titanimplant.net)

C/ General Manso, 28-38, Local 4  
08980 Sant Feliu de Llobregat  
Barcelona, España.

